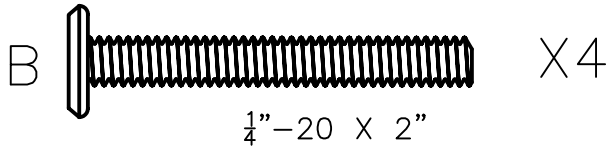
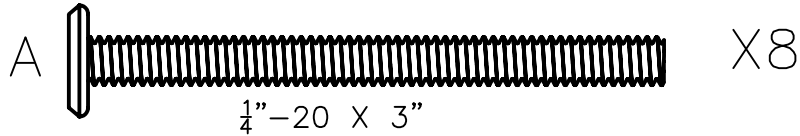


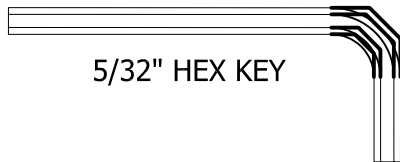
DO NOT fully tighten the bolts until all bolts are started. Once all bolts are inserted, then go back and tighten all the bolts.

# ROUND TABLE ASSEMBLY INSTRUCTIONS

## HARDWARE



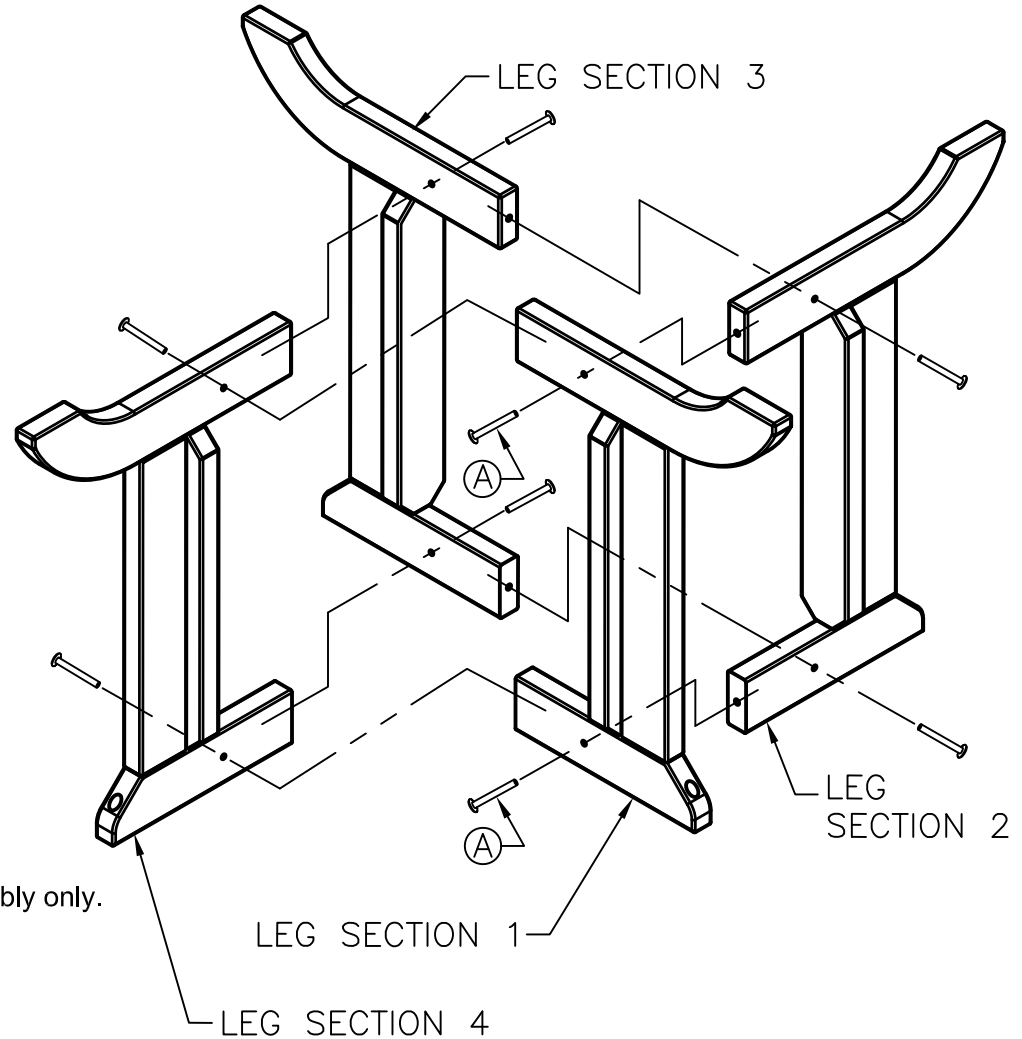
## INCLUDED TOOLS



NOTE: All 4 Leg Sections are identical and numbered for order of assembly only.

NOTE: DO NOT tighten bolts until Table is fully assembled.

- 1) Attach leg section 1 to leg section 2 with 2 A bolts.
- 2) Attach leg section 2 to leg section 3 with 2 A bolts.
- 3) Attach leg section 3 to leg section 4 with 2 A bolts.
- 4) Attach leg section 4 to leg section 1 with 2 A bolts.



AD-DRT-36  
11-30-16

**highwood**<sup>®</sup>  
NATURE'S CLOSEST RIVAL

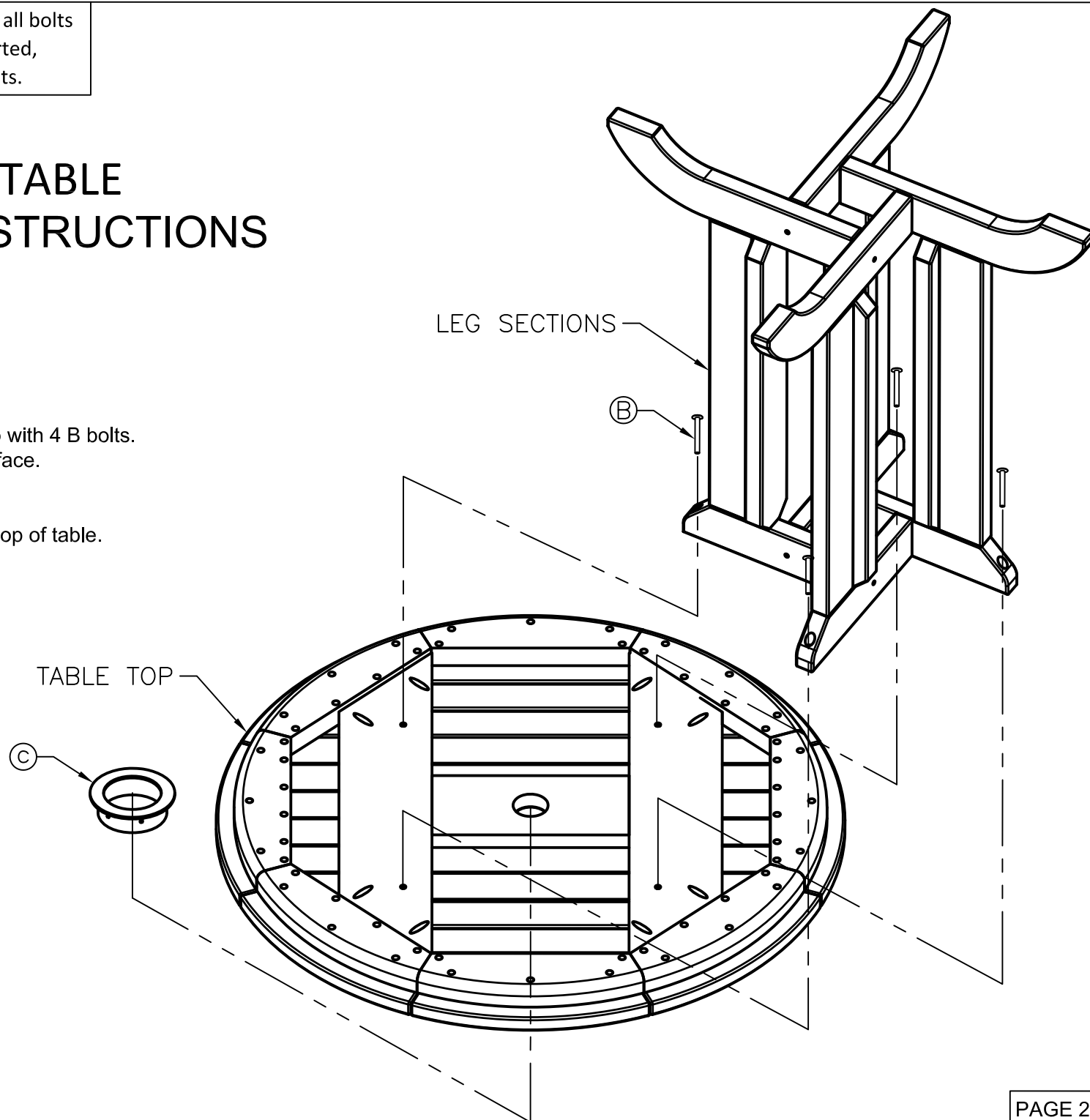
For information on Care and Cleaning your **highwood**<sup>®</sup> product visit [www.highwood-usa.com/care.html](http://www.highwood-usa.com/care.html)  
Visit our Website and Facebook page to see more **highwood**<sup>®</sup> products!  
[www.highwood-usa.com](http://www.highwood-usa.com) [www.facebook.com/highwoodUSA](https://www.facebook.com/highwoodUSA)

PAGE 1 OF 2

DO NOT fully tighten the bolts until all bolts are started. Once all bolts are inserted, then go back and tighten all the bolts.

## ROUND TABLE ASSEMBLY INSTRUCTIONS

- 5) Attach leg sections to table top with 4 B bolts.
- 6) Turn table upright onto flat surface.
- 7) Tighten all 4 B bolts.
- 8) Tighten all 8 A bolts.
- 9) Install umbrella grommet C in top of table.



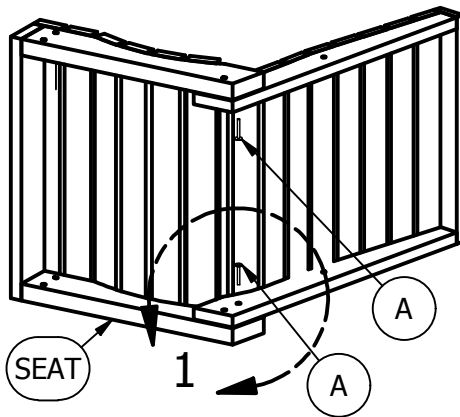
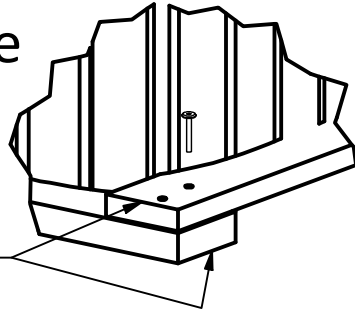
AD-DRT-36  
11-30-16

**highwood**<sup>®</sup>  
NATURE'S CLOSEST RIVAL

# Weatherly Collection Counter Chair with Arms

## Assembly Guide

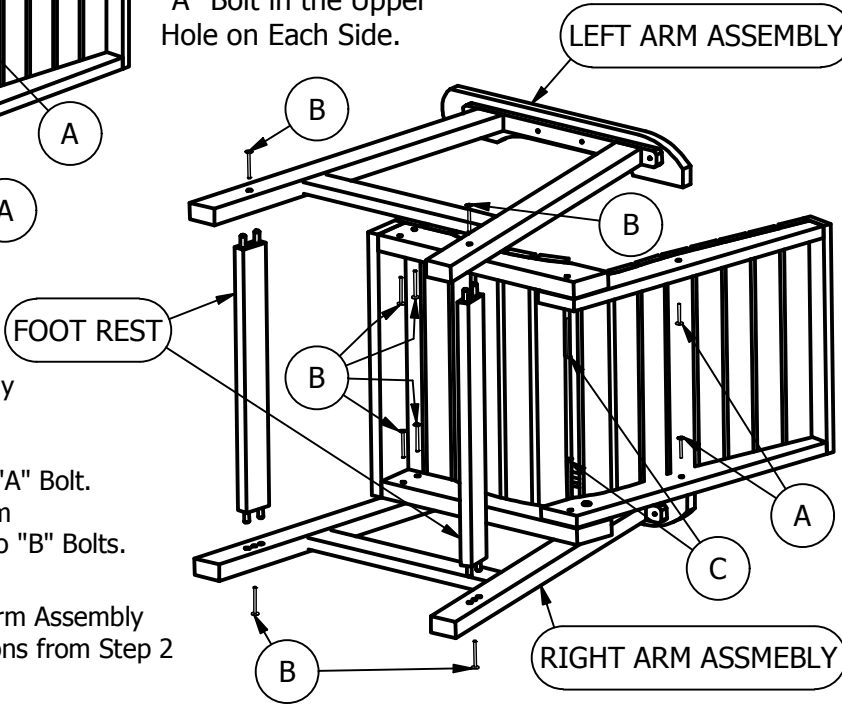
ALIGN ANGLES OF  
BACK AND SEAT



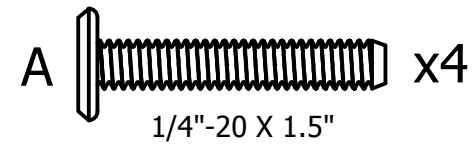
**1)** Attach Chair Back to Seat Using One "A" Bolt in the Upper Hole on Each Side.

**2)** Place Assembly from Step 1 onto Right Arm Assembly. Attach Arm Assembly to Seat Using Two "B" Bolts in Front and One "C" Bolt in Rear. Attach Arm to Back Using One "A" Bolt. Install Foot Rests into Right Arm Assembly and Fasten Using Two "B" Bolts.

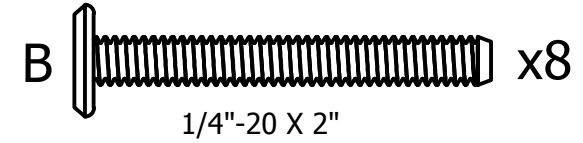
**3)** Insert Foot Rests into Left Arm Assembly and Repeat Attachment Directions from Step 2 for Left Arm Assembly.



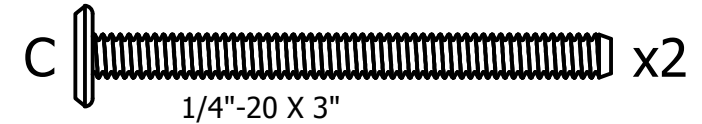
### HARDWARE



1/4"-20 X 1.5"



1/4"-20 X 2"



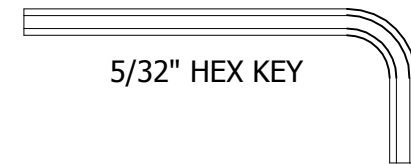
1/4"-20 X 3"

### IMPORTANT!

DO NOT fully tighten the bolts until all bolts are started. Once all bolts are inserted, go back & tighten all the bolts.

Retain these instructions for future reference

### INCLUDED TOOLS



5/32" HEX KEY